

## CONTAINER RULES

- Must be accessible for the collection vehicle and placed on approved level surface
- Loaded evenly, not overloaded, and fill to rim or designated fill line
- Must dump by gravity alone (crew will not remove waste by hand)
- 6 & 8 yard containers are available for solid waste asphalt roofing material
- Loose material must be bagged and tied to eliminate flying debris from container
- Container and vehicles may cause damage to surfaces due to weight
- The customer is responsible for any and all damage to the container incurred while it is in the customer's possession.

## PROHIBITED MATERIALS

- Animal waste or carcasses, medical waste
- Blocks of concrete, rocks, heavy metal objects, large car parts, metal pipe
- Hazardous and toxic waste, paint, oil, grease, antifreeze, solvents, material with asbestos content
- Materials containing excessive amounts of water
- Rechargeable or large batteries
- Recyclable or compostable materials including sod, brush, etc.

City of Anacortes

2201 37th St  
Anacortes, WA 98221  
Phone: (360) 293-1921  
Fax: (360) 293-1931  
[www.anacorteswa.gov](http://www.anacorteswa.gov)  
Date: October 2019



City of Anacortes

## Dumpster Rental Information



[www.anacorteswa.gov](http://www.anacorteswa.gov)

## Dumpster Rentals

The City of Anacortes can offer you a dumpster to fit just about any project. Our dumpster sizes range from 1.5 yards to 8 yards. They can be delivered to your home project and emptied on an “on-call” basis or delivered to a place of business for everyday commercial use.

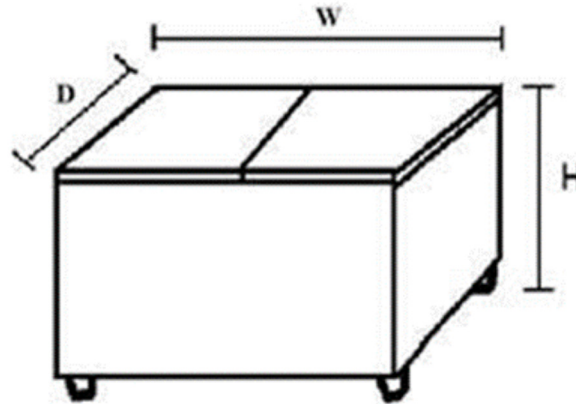
Please call 293-1921 Monday through Friday 8:00am – 4:30pm for more information and to check availability.

Cash payment, as well as payments by check, Discover Card, MasterCard and Visa, can be made at the utility payments desk, main floor, City Hall Municipal Building at 904 6th Street.

Please call the Solid Waste Department at (360) 293-1921 for pick-up/empty and removal.

## Sizes

Dumpsters	Width	Depth	Height
1.5-yd	72"	28"	35"
2-yd	72"	35"	38"
3-yd	72"	44"	45"
6-yd	72"	66"	61"
8-yd	72"	71"	75"



For questions about pricing please call Utility Billing at (360) 293-1909  
Or find information at [www.anacorteswa.gov](http://www.anacorteswa.gov)

## Permanent Dumpsters

Permanent dumpsters are available to commercial utility accounts within the city limits.

To set up new service call utility billing at (360) 293-1909.

For questions about dumpster placement, pad specifications, and scheduling your pick up days call (360) 293-1921 to speak to the Solid Waste Department.

## Temporary Dumpsters

A signed contract and pre-payment of Delivery Fee is required for Temporary Dumpsters.

The delivery fee includes set-up, seven day rental, and removal. Additional daily fees and extra pick-ups are billed to the property utility account.

To order your temporary dumpster call utility billing at (360) 293-1909. To get your temporary dumpster serviced call Solid Waste at (360)293-1921.